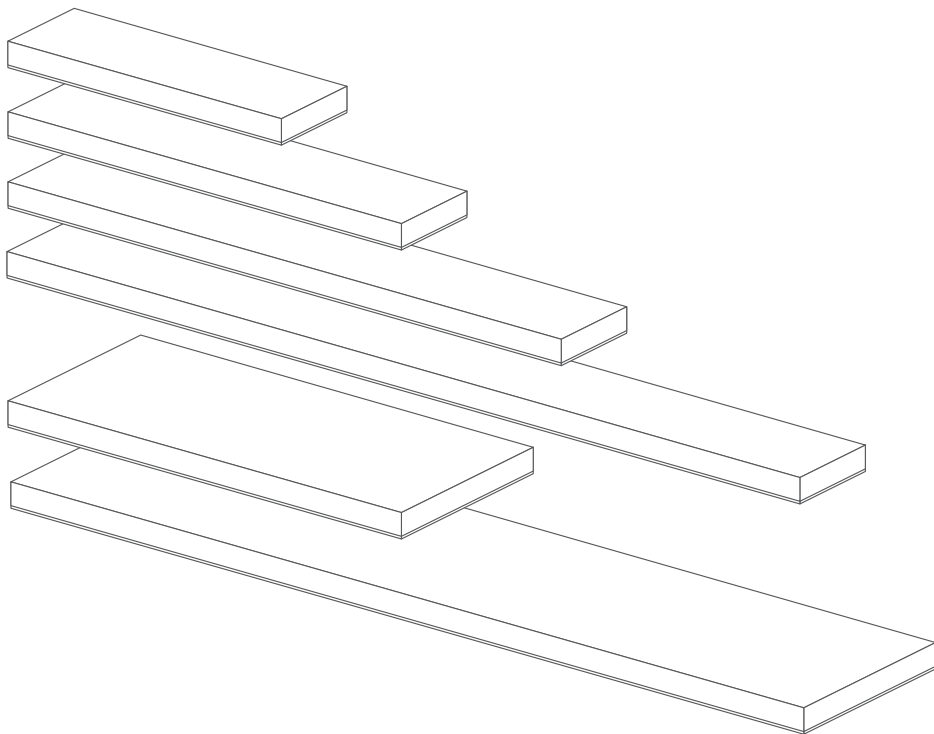


---

## SMART<sup>+</sup> PLANON FRAMELESS

---



	EAN	W	lm	K	θ <sub>amb</sub> (°C)	V~	mA	Hz	PF
SMART WIFI PLANON FRAMELESS 40X10TW	4058075484634	16	1050	3000-6500	-20...+40	220-240	80	50/60	>0.9
SMART WIFI PLANON FRAMELESS 60X10TW	4058075484610	28	1800	3000-6500	-20...+40	220-240	125	50/60	>0.9
SMART WIFI PLANON FRAMELESS 80X10TW	4058075484597	27	2000	3000-6500	-20...+40	220-240	125	50/60	>0.9
SMART WIFI PLANON FRAMELESS 120X10TW	4058075484535	35	2500	3000-6500	-20...+40	220-240	160	50/60	>0.9
SMARTWIFIPLANON FRAMELES120X10RGBTW	4058075484573	35	2500	3000	-20...+40	220-240	160	50/60	>0.9
SMART WIFI PLANON FRAMELESS 60X30TW	4058075484412	28	2100	3000-6500	-20...+40	220-240	125	50/60	>0.9
SMART WIFI PLANON FRAMELESS 120X30TW	4058075484498	40	3400	3000-6500	-20...+40	220-240	180	50/60	>0.9
SMARTWIFIPLANON FRAMELES120X30RGBTW	4058075484511	40	3300	3000	-20...+40	220-240	185	50/60	>0.9

4x 4x

1x

<b>1100 g</b>	<b>1530 g</b>
4058075484634	4058075484597
<b>1320 g</b>	<b>2580 g</b>
4058075484610	4058075484412
<b>2260 g</b>	<b>4200 g</b>
4058075484535	4058075484498
<b>2430 g</b>	<b>4610 g</b>
4058075484573	4058075484511

mm

	L	W	H
<b>400X100 16W</b>	400	100	65
<b>600X100 28W</b>	600	100	65
<b>800X100 27W</b>	800	100	65
<b>1200X100 35W</b>	1200	100	65
<b>600X300 28W</b>	600	300	69
<b>1200X300 40W</b>	1200	300	69

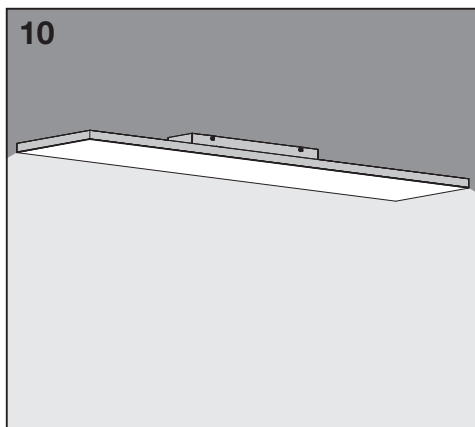
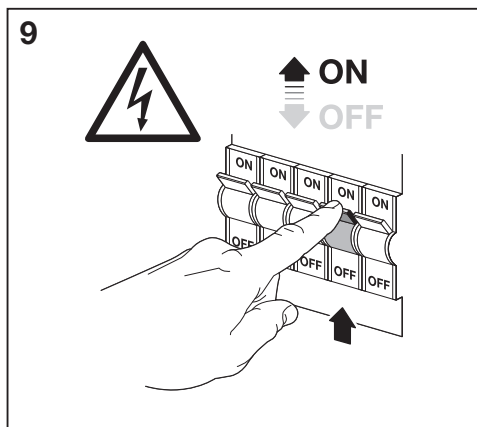
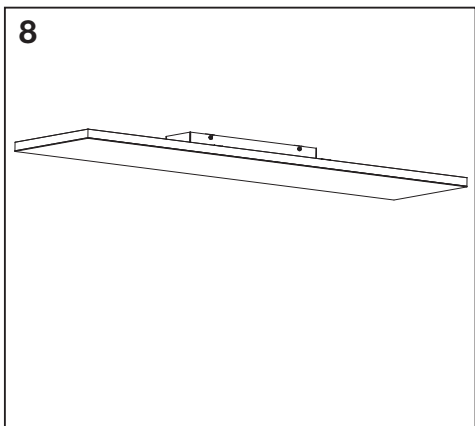
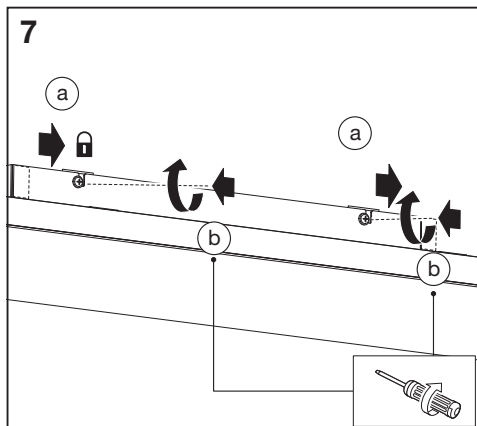
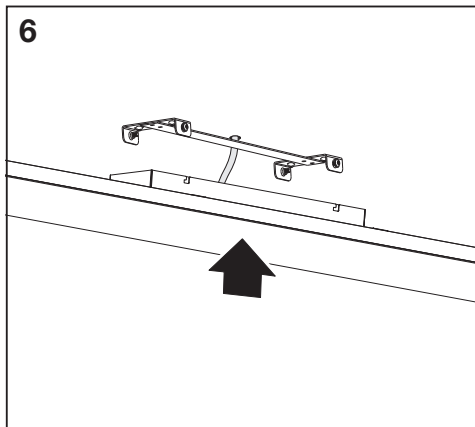
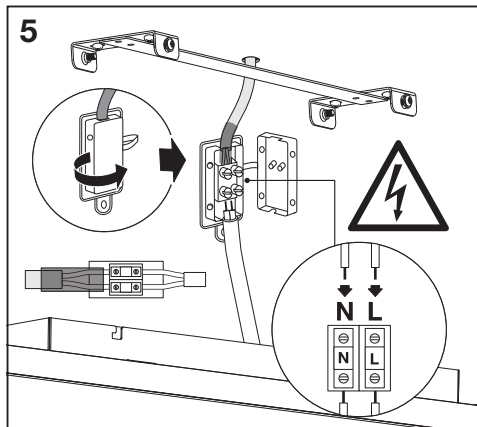
1

ON  
OFF

2

3

4





C10449057  
G11103893  
10.09.2020



LEDVANCE GmbH  
Steinerne Furt 62  
86167 Augsburg, Germany  
[www.ledvance.com](http://www.ledvance.com)